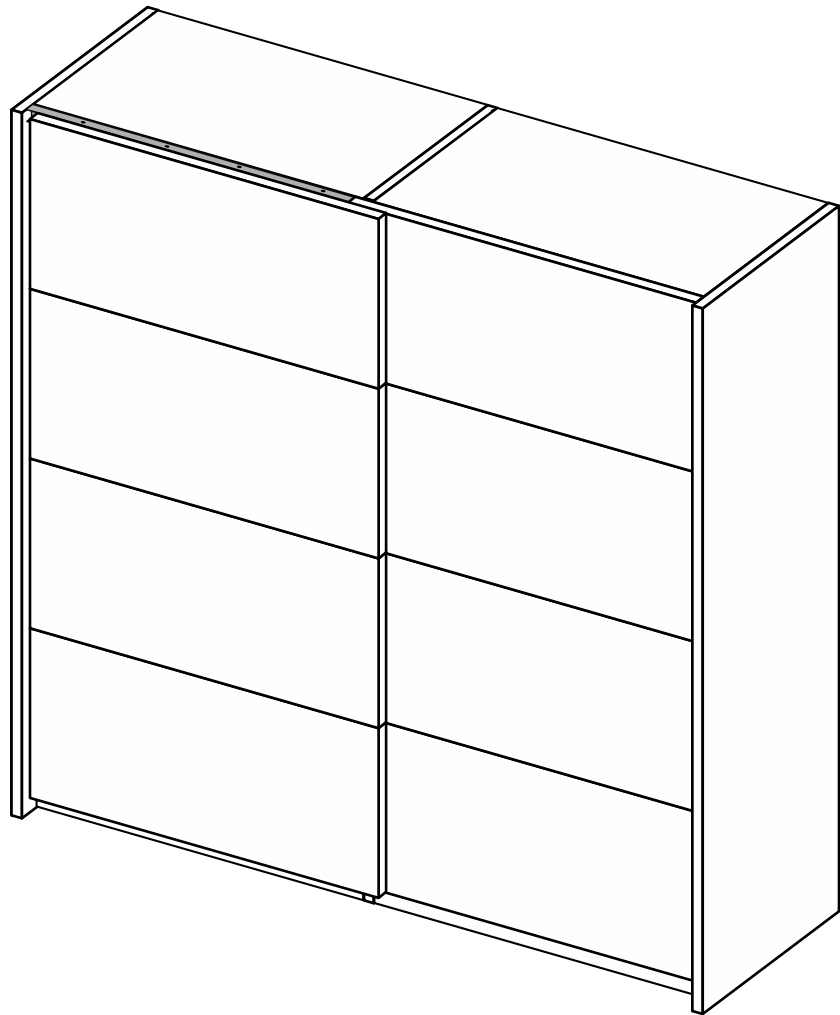
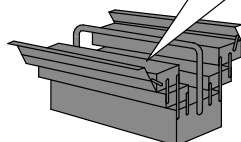
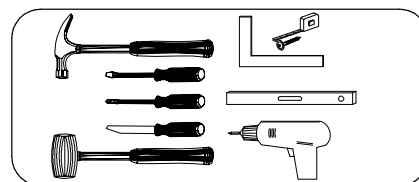
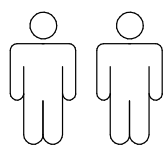


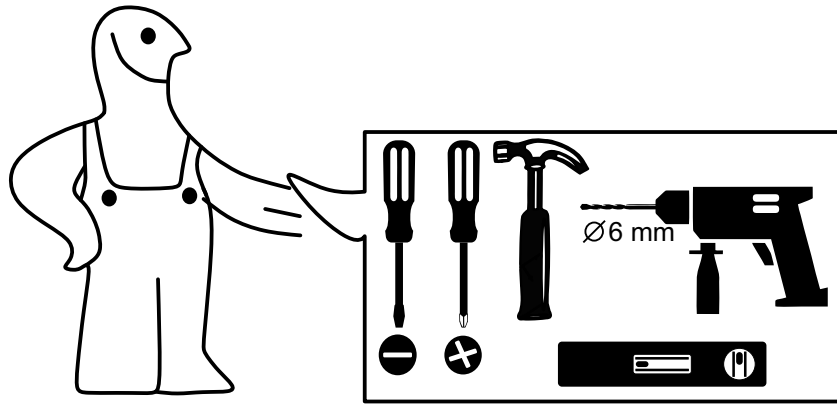
WARDROBE



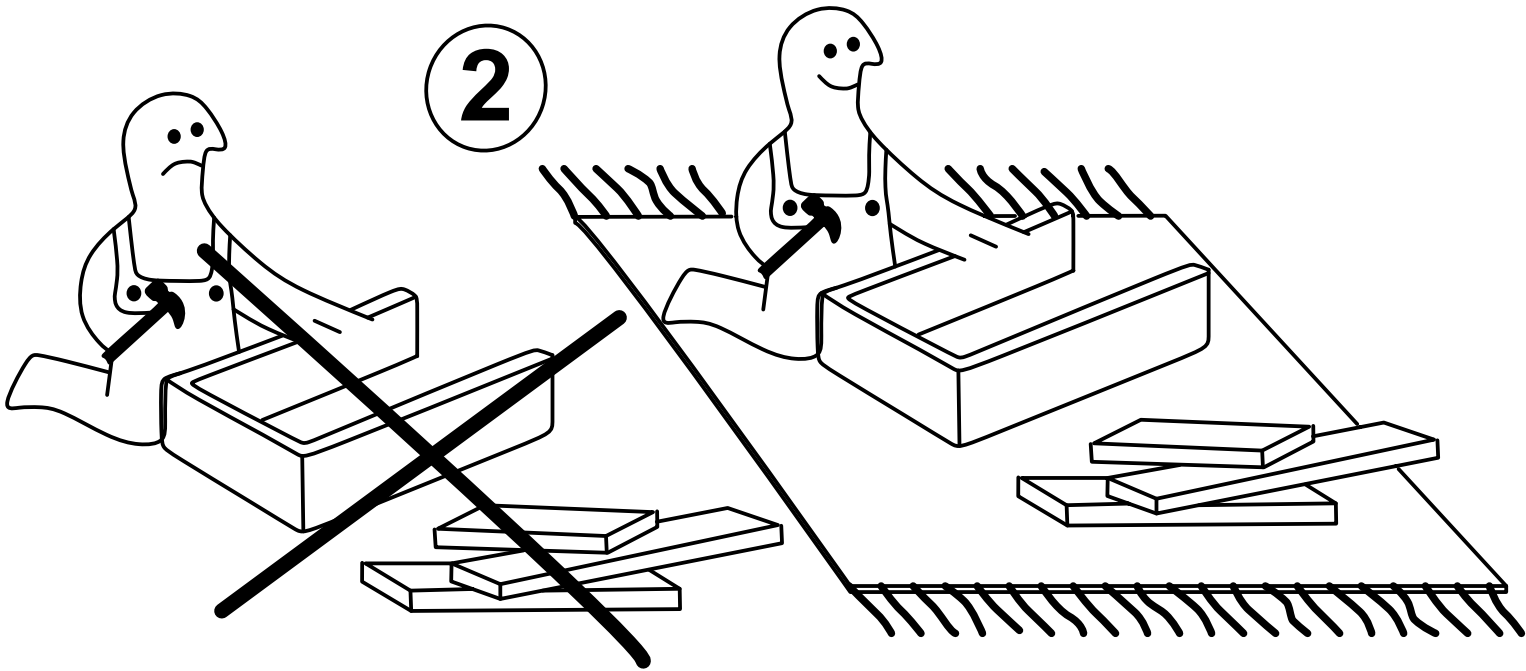
T0012
T0013
T0014



1



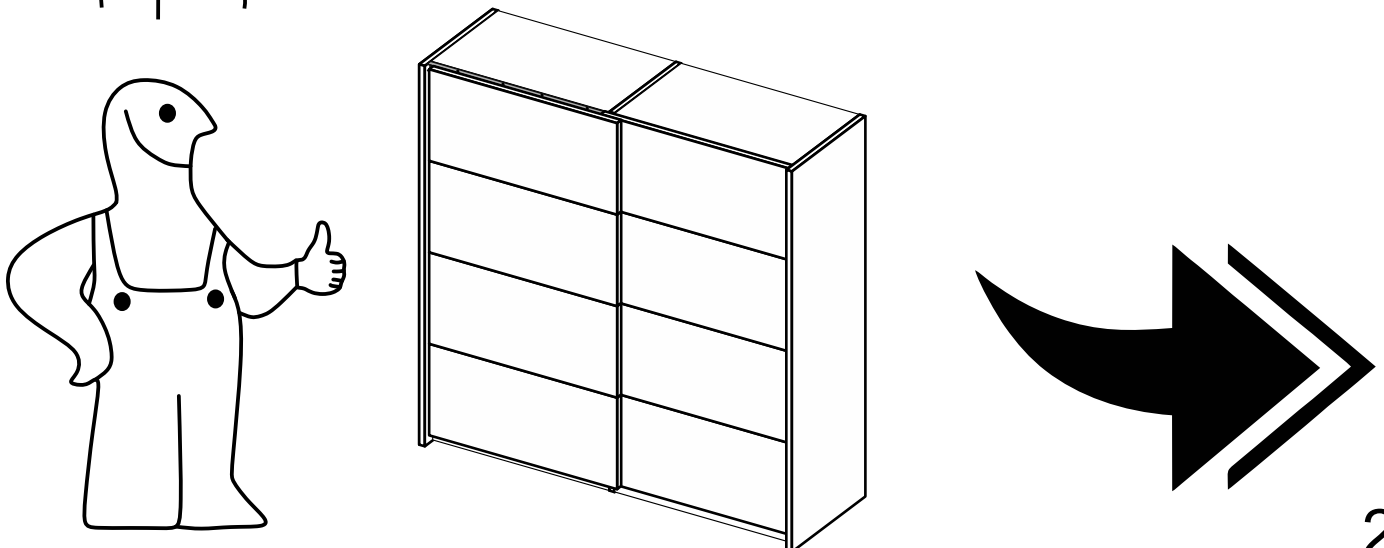
2



3

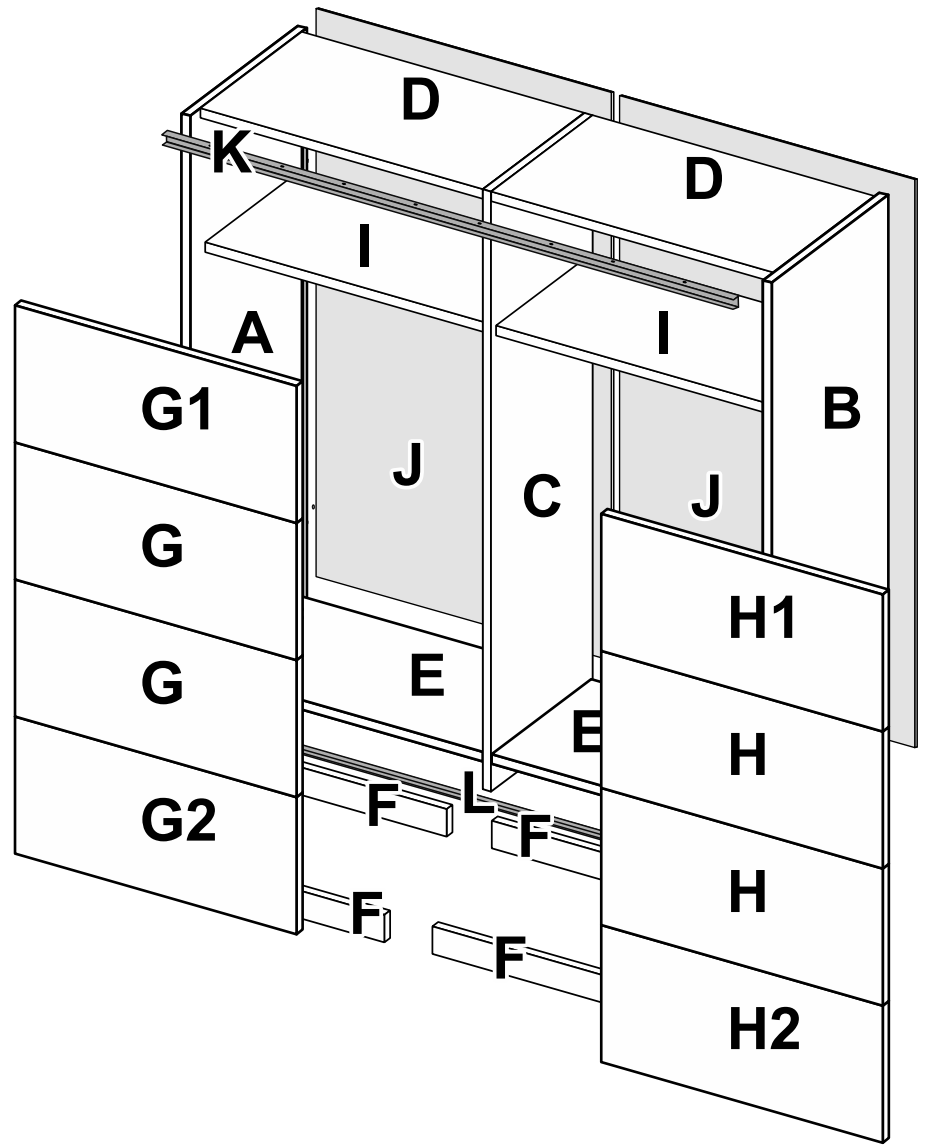


4



1.5 m

A	-	2102	x	580	x	16	-	x	1
B	-	2102	x	555	x	16	-	x	1
C	-	2102	x	521	x	16	-	x	1
D	-	726	x	521	x	16	-	x	2
E	-	726	x	521	x	16	-	x	2
F	-	725	x	50	x	16	-	x	4
G	-	763	x	512	x	16	-	x	2
G1	-	763	x	512	x	16	-	x	1
G2	-	763	x	512	x	16	-	x	1
H	-	763	x	512	x	16	-	x	2
H1	-	763	x	512	x	16	-	x	1
H2	-	763	x	512	x	16	-	x	1
I	-	726	x	515	x	22	-	x	2
J	-	2052	x	738	x	3	-	x	2
K	-	STB 22					-	x	1
L	-	STB 15					-	x	1

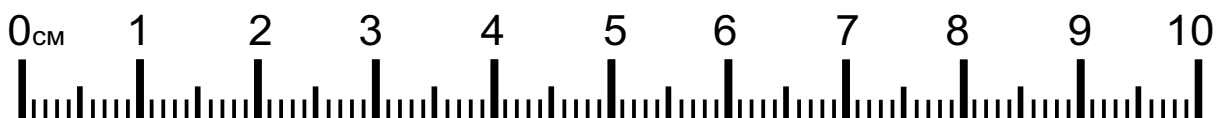


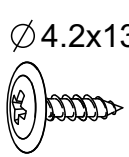
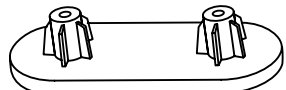

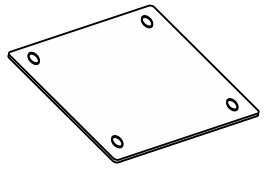
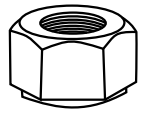
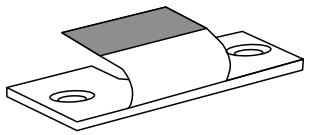
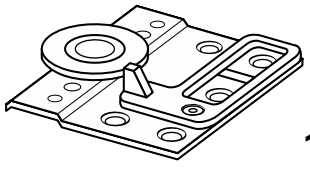
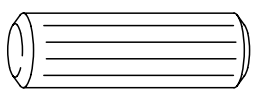
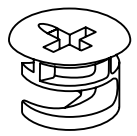
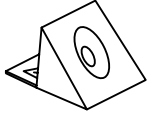
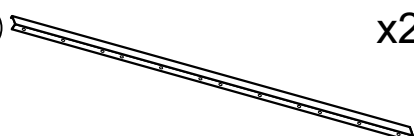
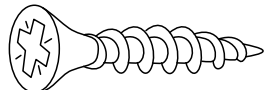
2.0 m


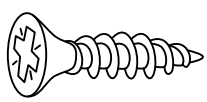
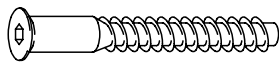

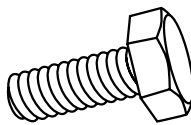
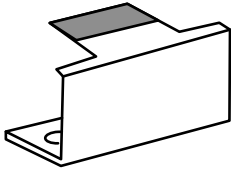
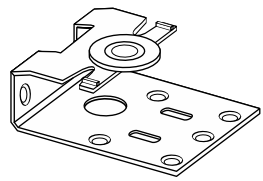
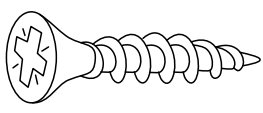
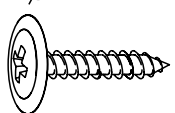

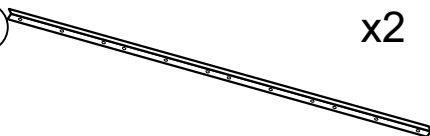
A	-	2102	x	580	x	16	-	x	1
B	-	2102	x	555	x	16	-	x	1
C	-	2102	x	521	x	16	-	x	1
D	-	976	x	521	x	16	-	x	2
E	-	976	x	521	x	16	-	x	2
F	-	975	x	50	x	16	-	x	4
G	-	1013	x	512	x	16	-	x	2
G1	-	1013	x	512	x	16	-	x	1
G2	-	1013	x	512	x	16	-	x	1
H	-	1013	x	512	x	16	-	x	2
H1	-	1013	x	512	x	16	-	x	1
H2	-	1013	x	512	x	16	-	x	1
I	-	976	x	515	x	22	-	x	2
J	-	2052	x	988	x	3	-	x	2
K	-	STB 22					-	x	1
L	-	STB 15					-	x	1

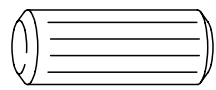

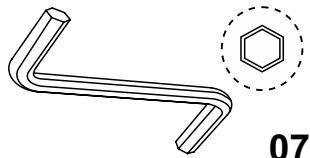
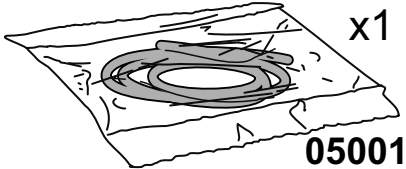
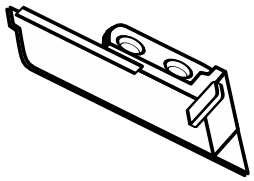
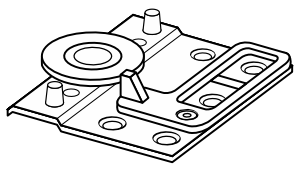
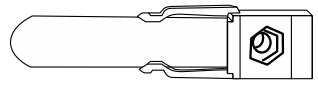
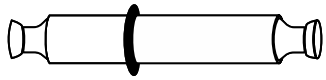
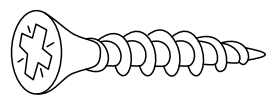
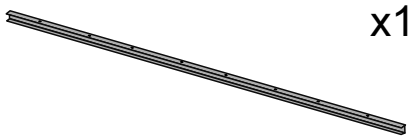
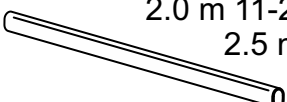
* 2.5 m

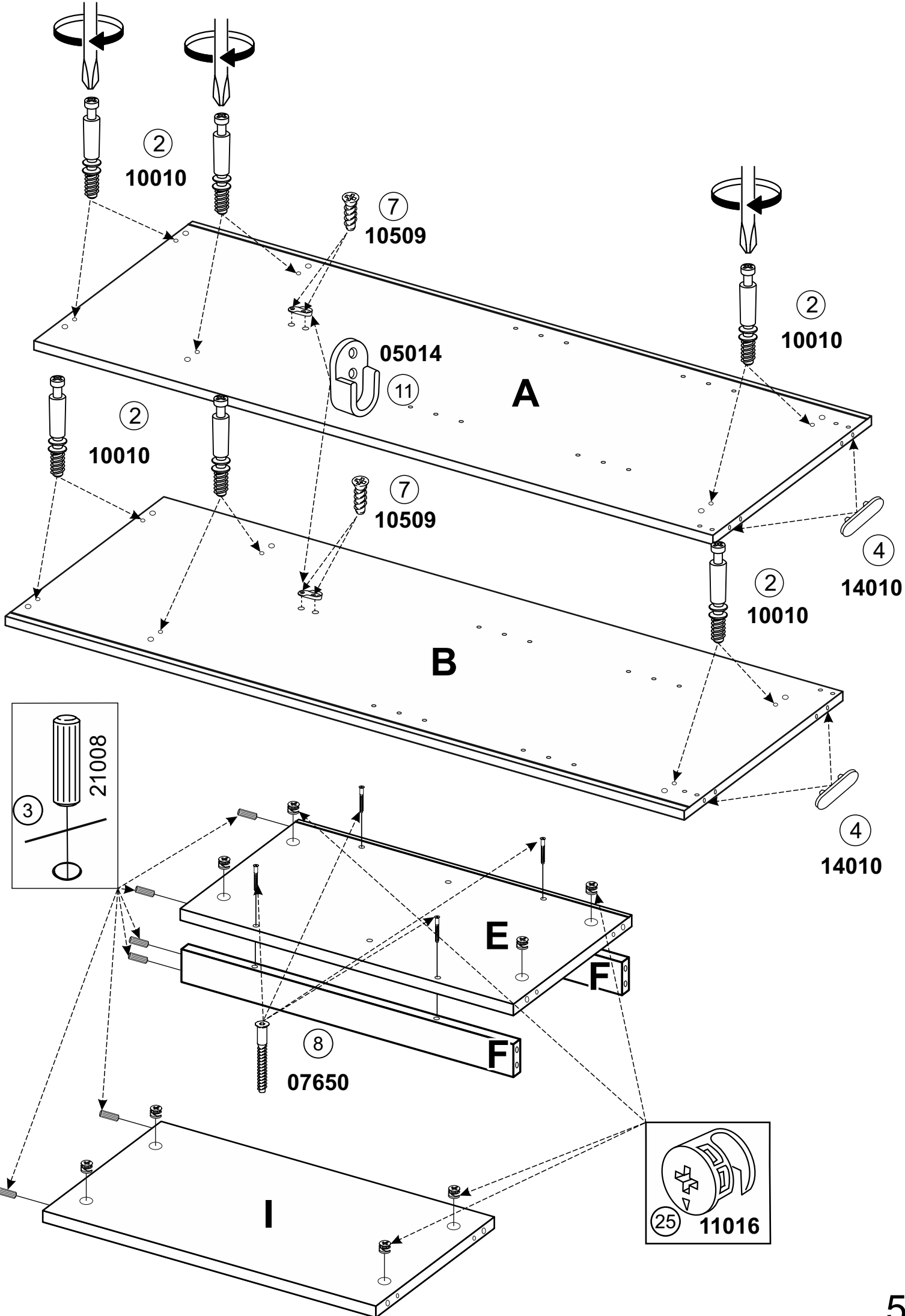
A	-	2102	x	580	x	16	-	x	1
B	-	2102	x	555	x	16	-	x	1
C	-	2102	x	521	x	16	-	x	1
D	-	1226	x	521	x	16	-	x	2
E	-	1226	x	521	x	16	-	x	2
F	-	1226	x	50	x	16	-	x	4
G	-	1263	x	512	x	16	-	x	2
G1	-	1263	x	512	x	16	-	x	1
G2	-	1263	x	512	x	16	-	x	1
H	-	1263	x	512	x	16	-	x	2
H1	-	1263	x	512	x	16	-	x	1
H2	-	1263	x	512	x	16	-	x	1
I	-	1226	x	515	x	22	-	x	2
J	-	2052	x	1239	x	3	-	x	2
K	-	STB 22					-	x	1
L	-	STB 15					-	x	1

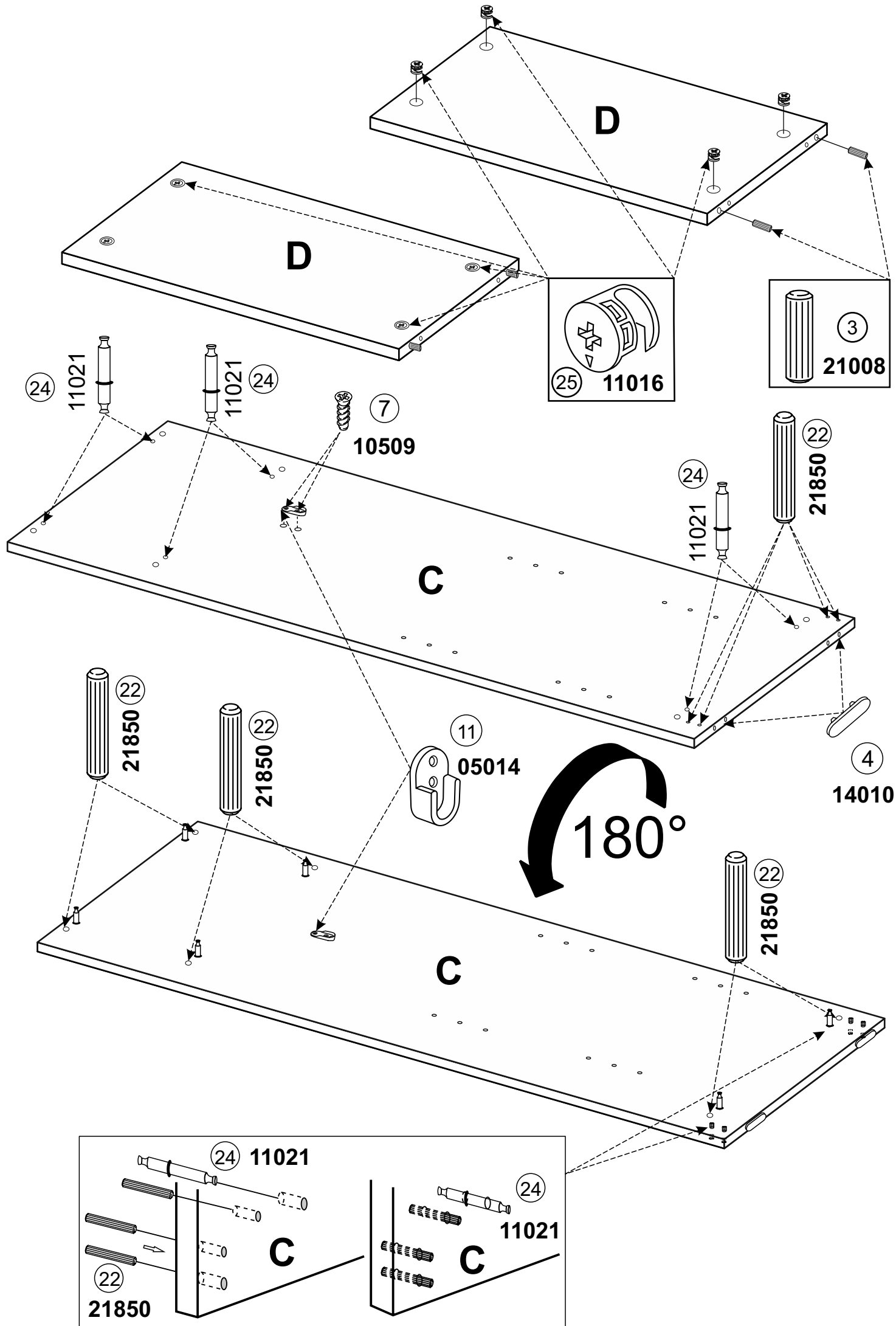


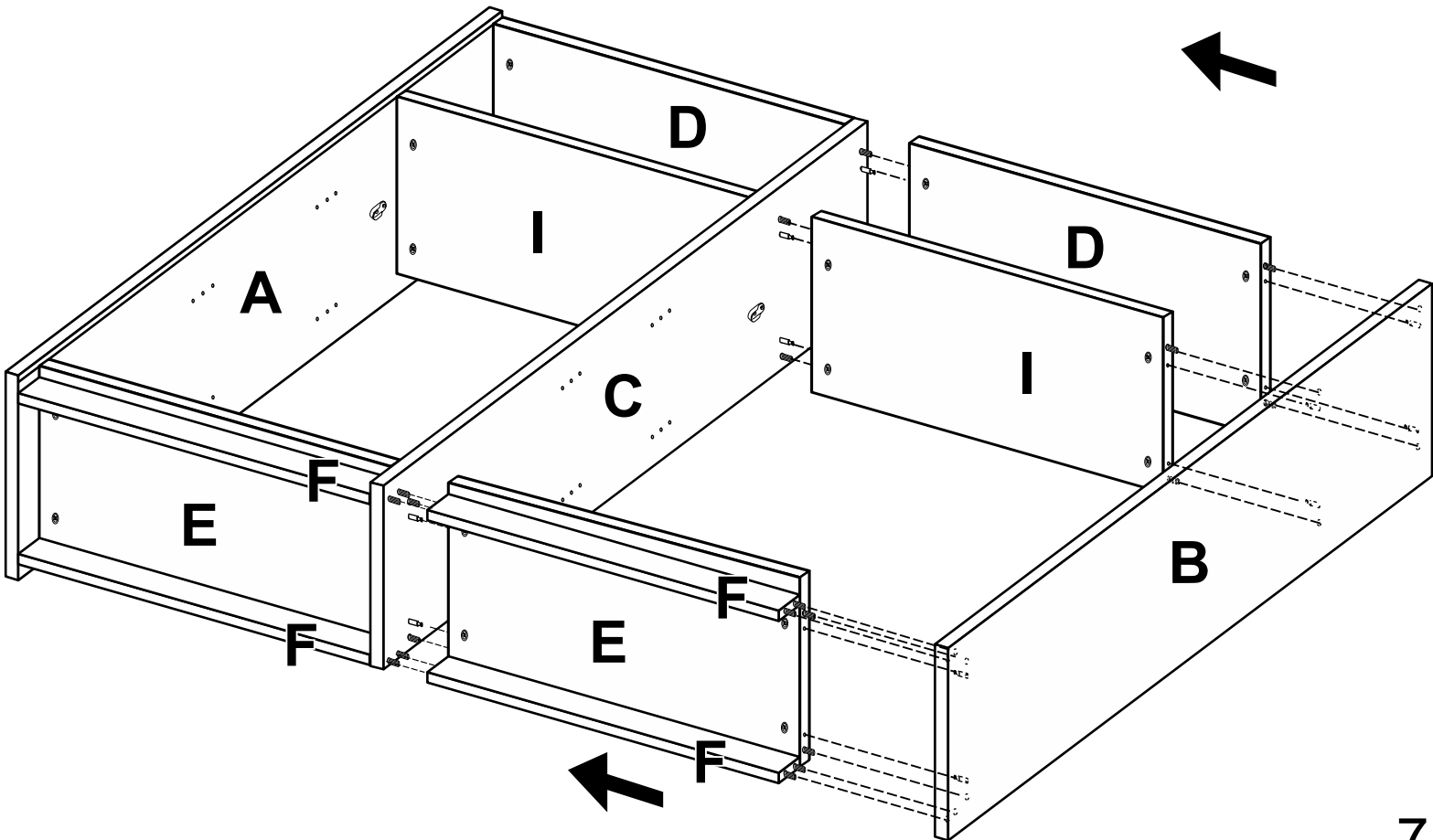
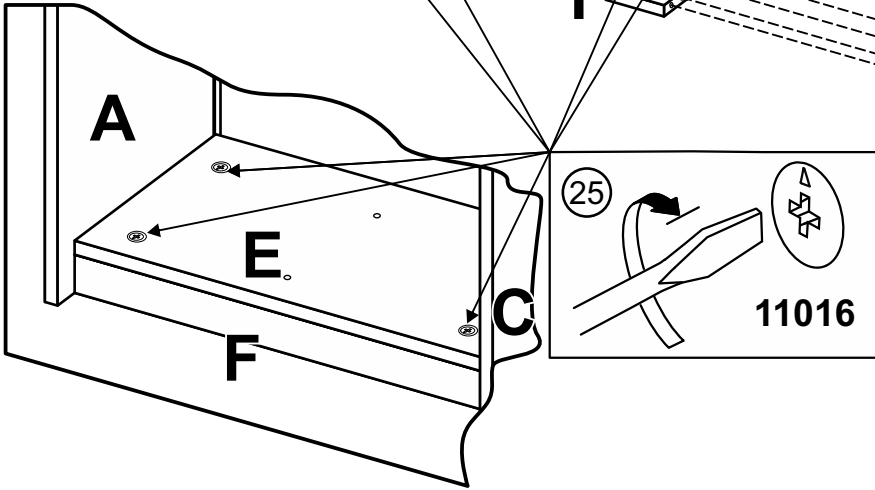
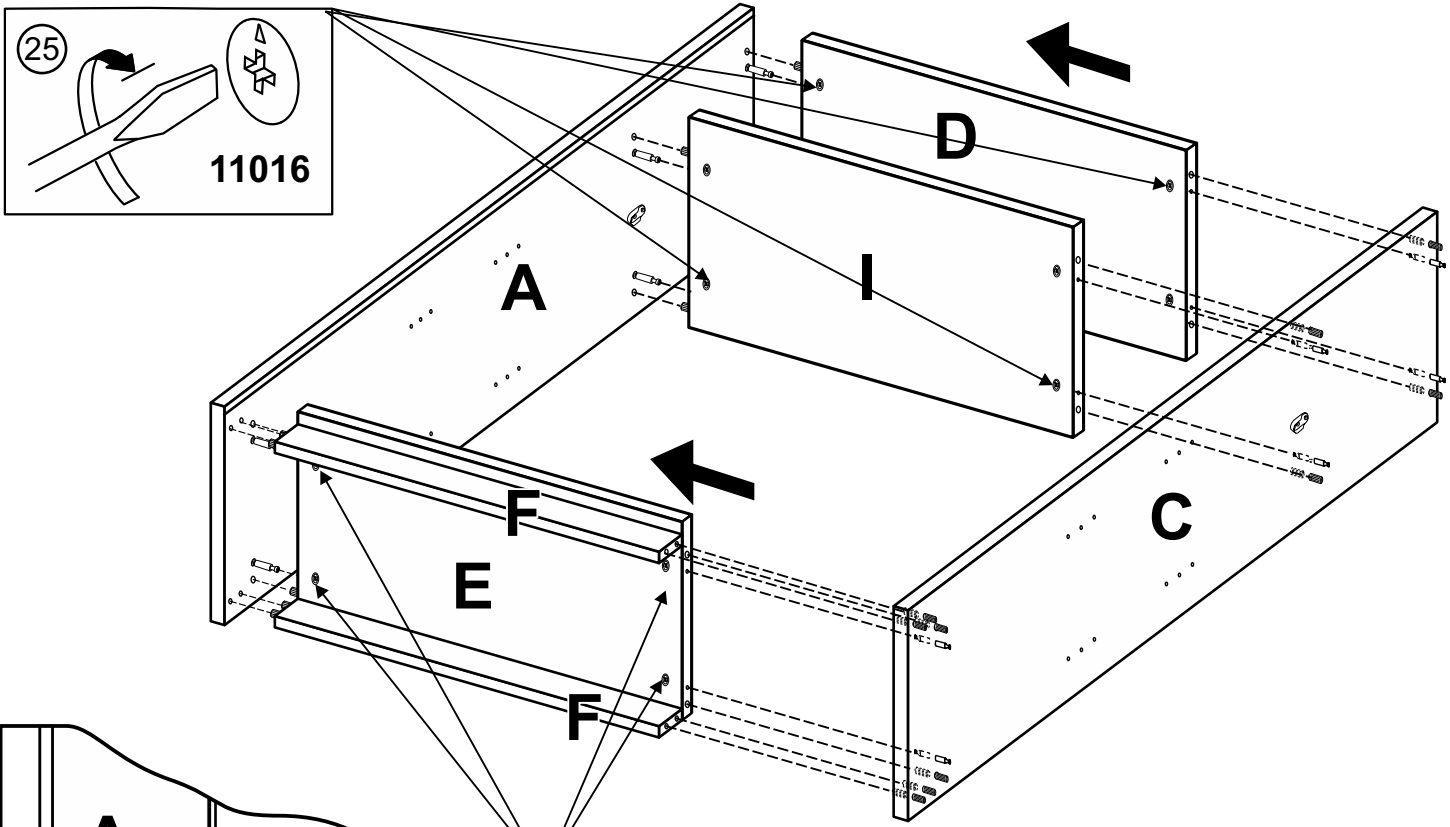
1	 $\varnothing 4.2 \times 13$	x8 x9*	10413
4		x6	14010
7	 $\varnothing 5 \times 9$	x8	10509
10		x12	05034
13		x2	17041
16		x2	17034
19		x1	17036
22	 $\varnothing 8 \times 50$	x10	21850
25		x24	11016
28		x6	08003
31		x2	19061
34	 $\varnothing 3 \times 16$	x48	10217

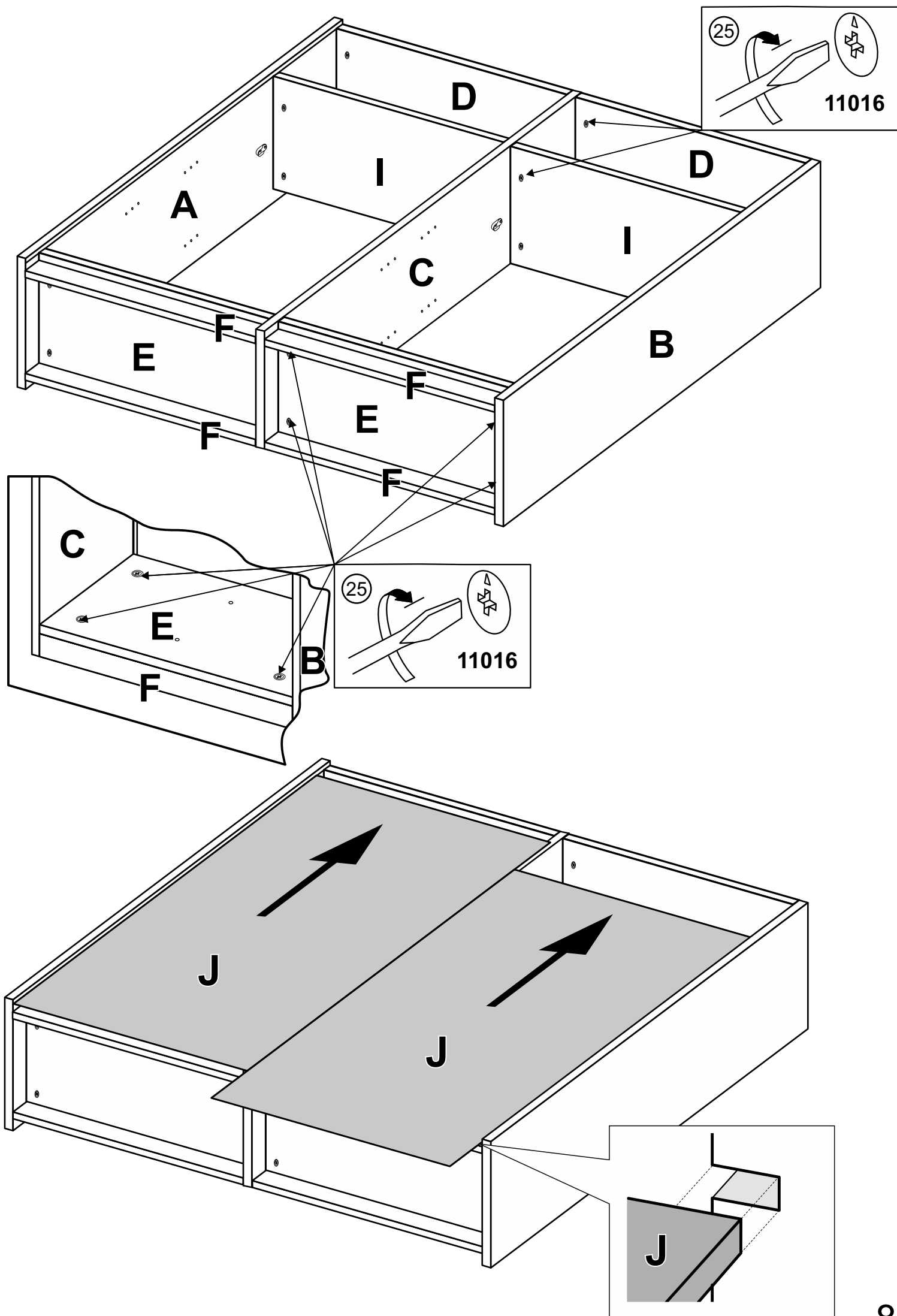
2		x12	11002
5	 $\varnothing 3.5 \times 15$	x58	10315
8	 $\varnothing 6.4 \times 50$	x8	07650
11		x4	05014
14		x2	17042
17		x2	17035
20		x2	17038
23	 $\varnothing 4 \times 16$	x4	17416
26	 $\varnothing 4.2 \times 19$	x50 x70*	10419
29		x1	STB 15
32		x2	19062

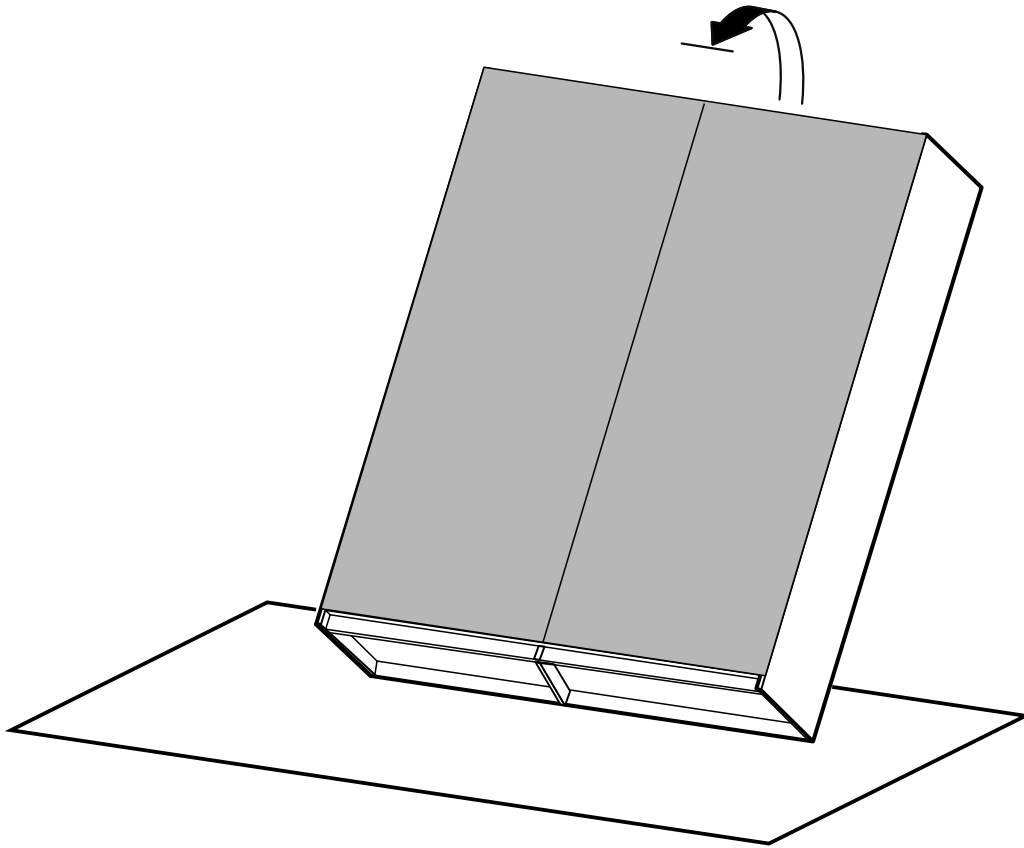
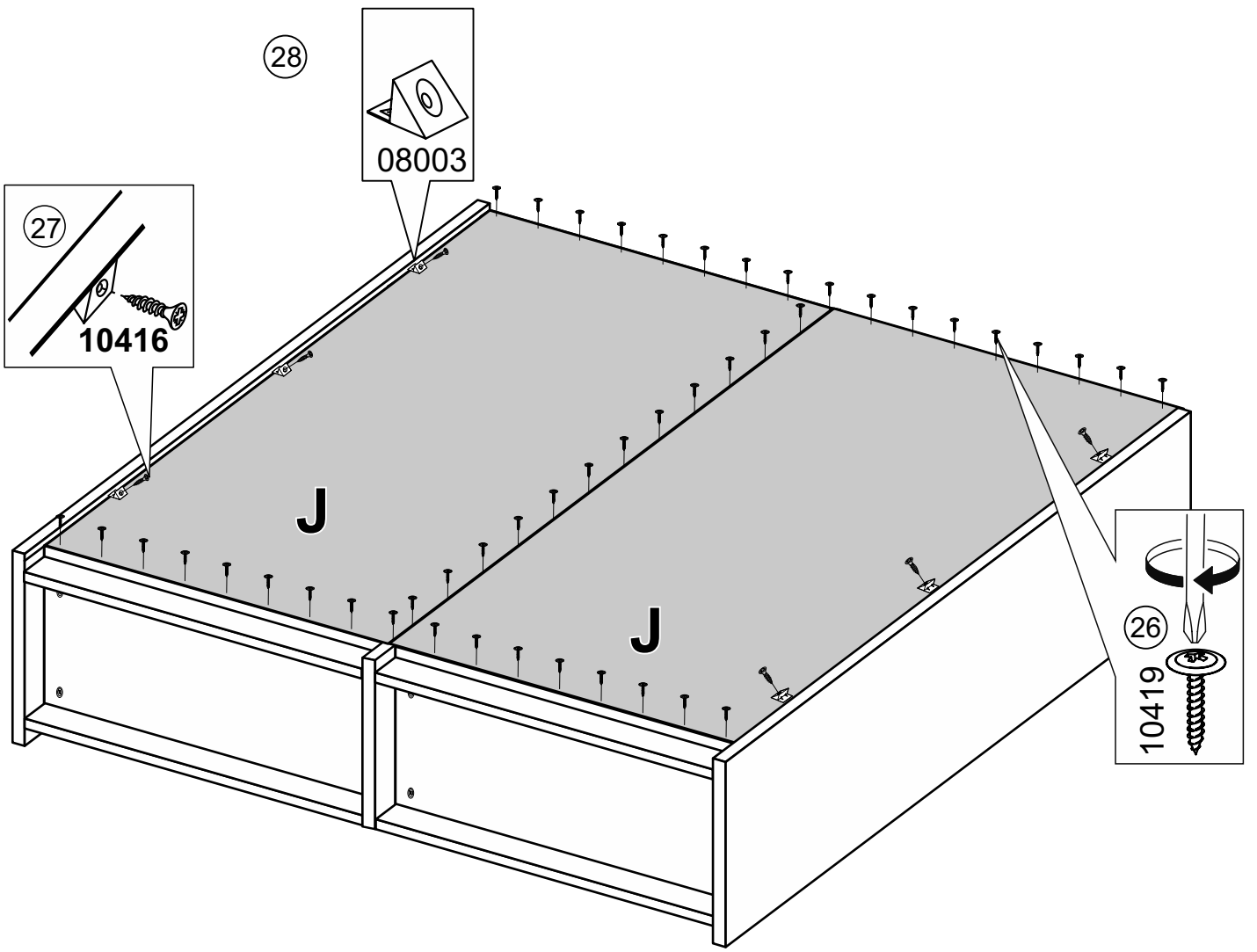
3	 $\varnothing 8 \times 30$	x20	21008
6	 $\varnothing 6 \times 10.5$	x28	10614
9		x1	07001
12		x1	05001
15		x2	17043
18		x1	17037
21		x2	17039
24		x6	11021
27	 $\varnothing 4 \times 16$	x6	10416
30		x1	STB 22
33		x2 1.5 m 11-2-TR-17 2.0 m 11-2-TR-14 2.5 m 11-2-TR-15	

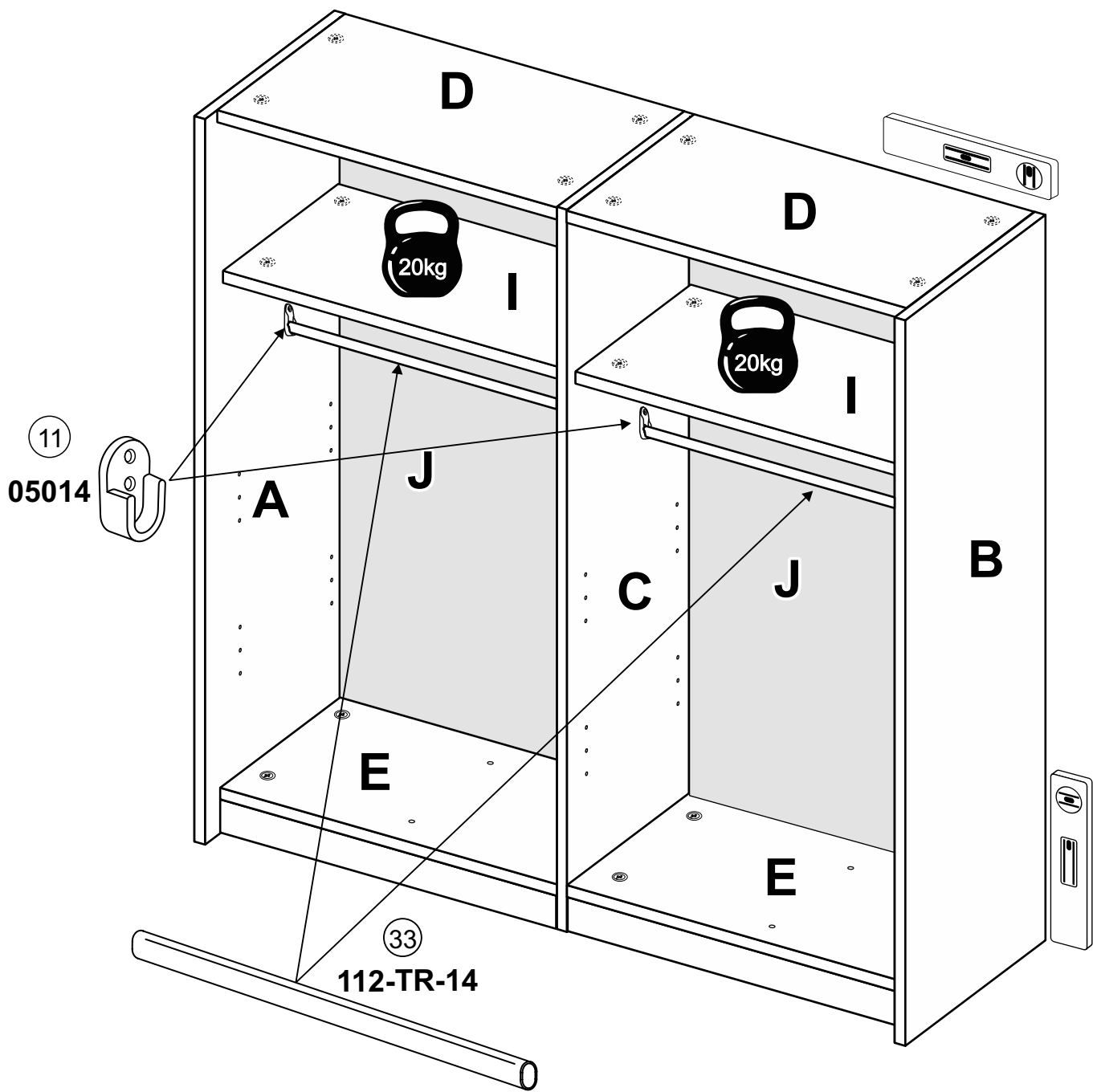


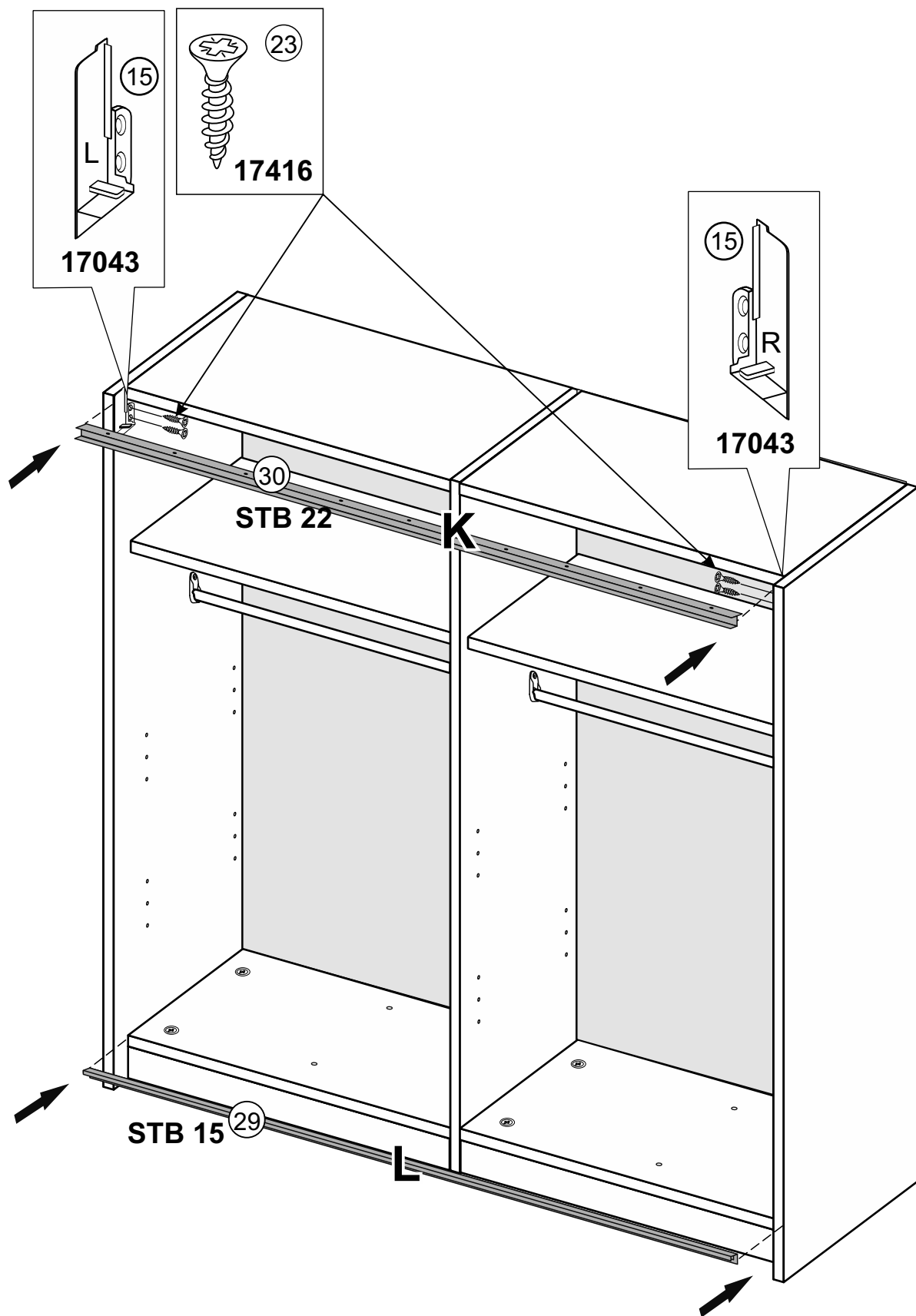


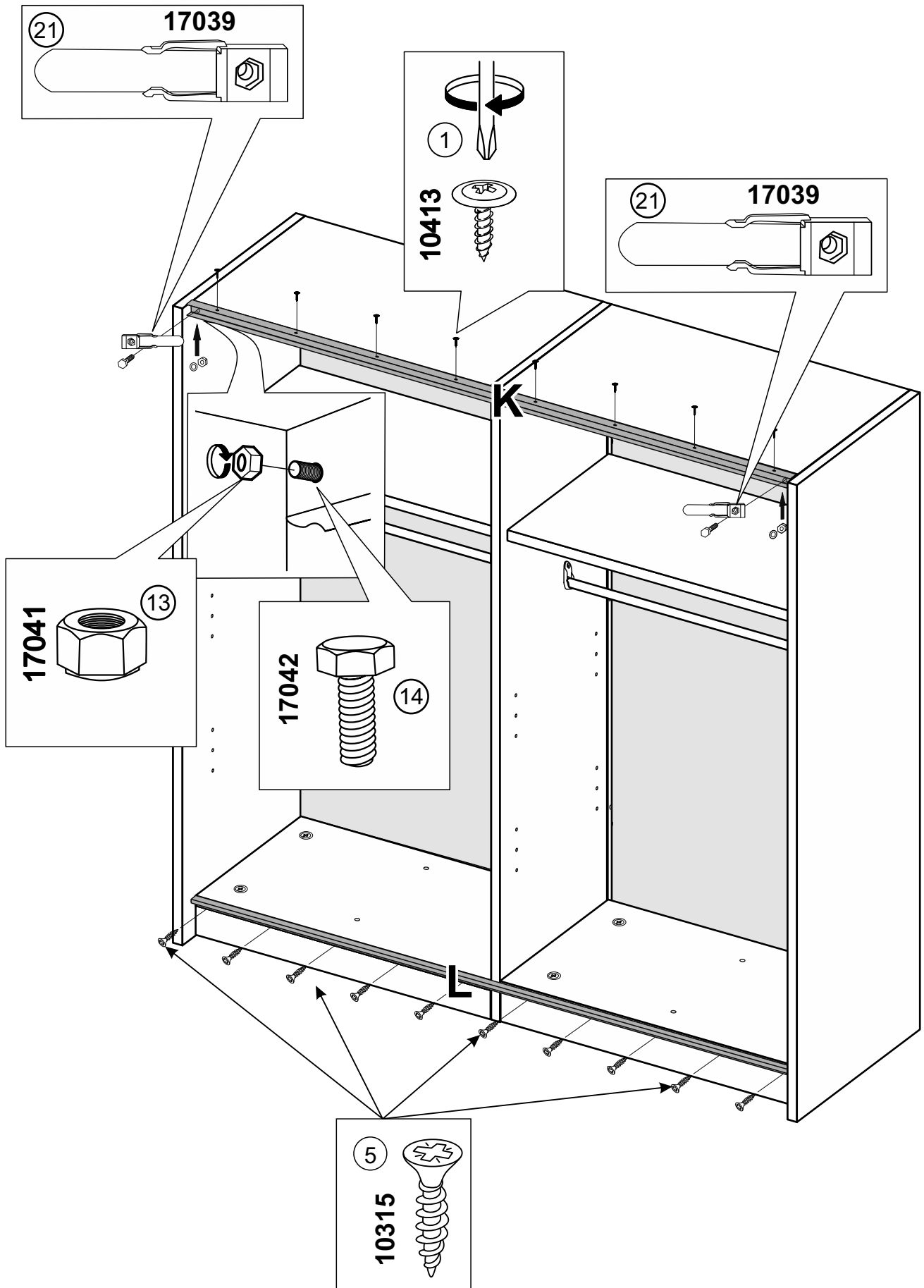


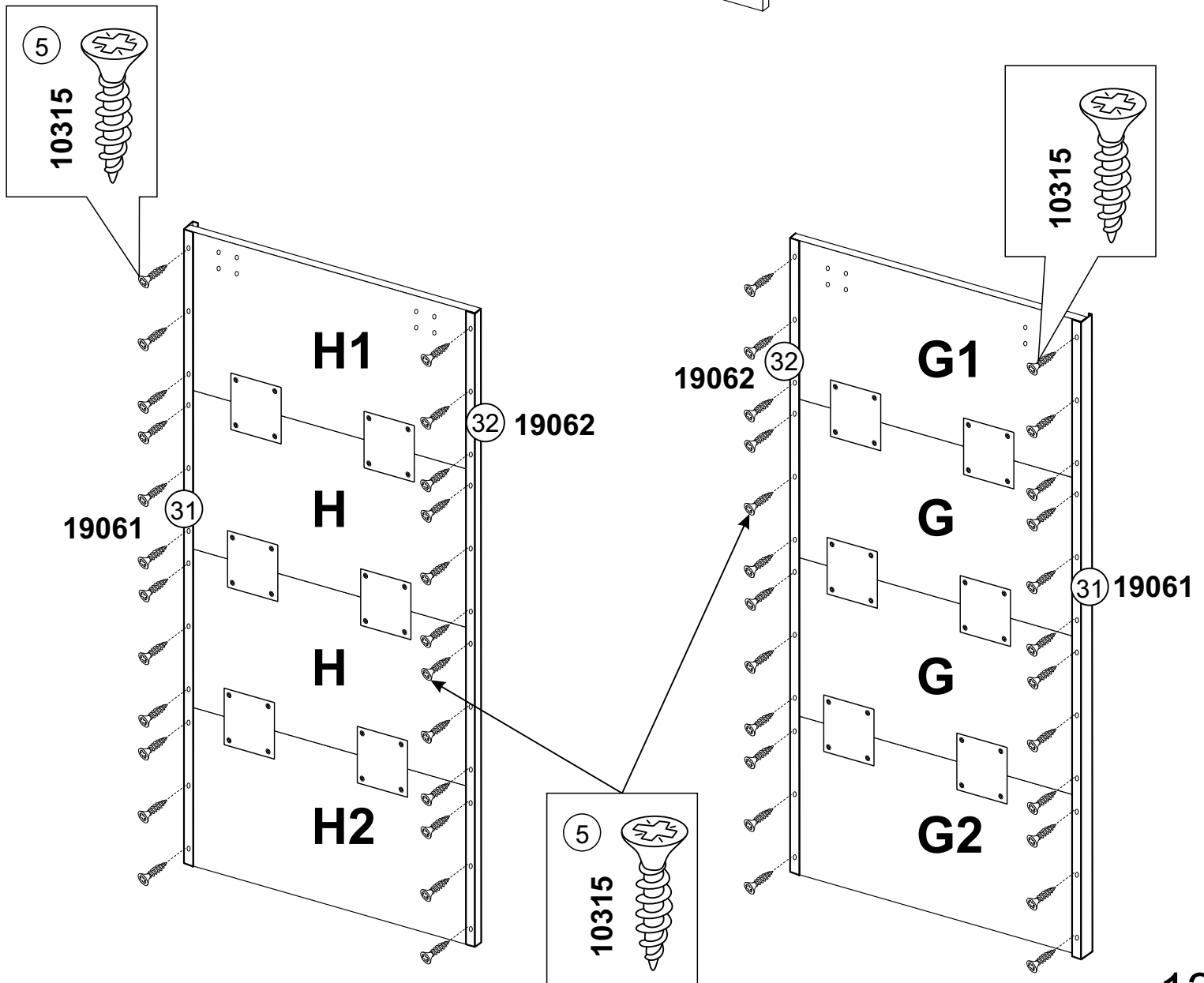
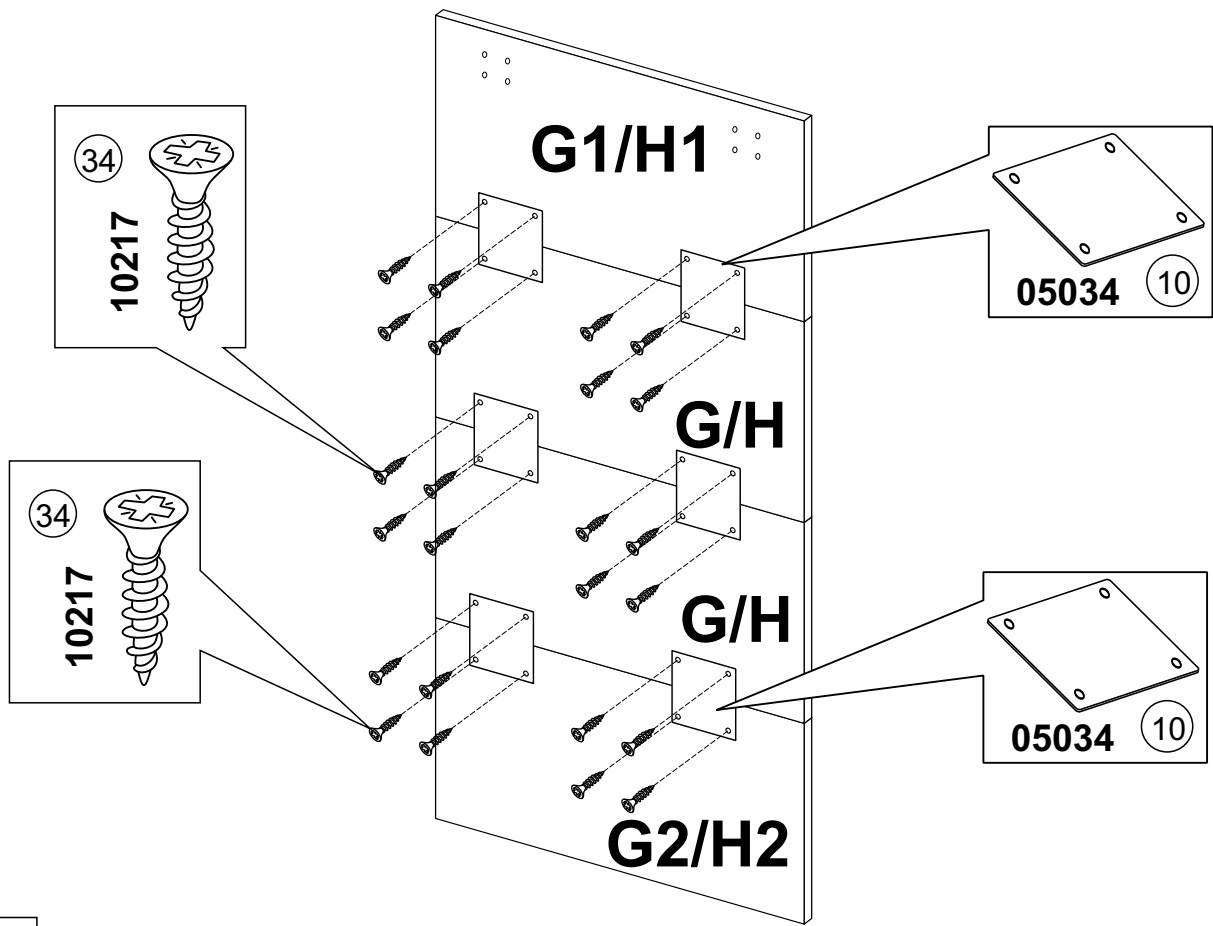


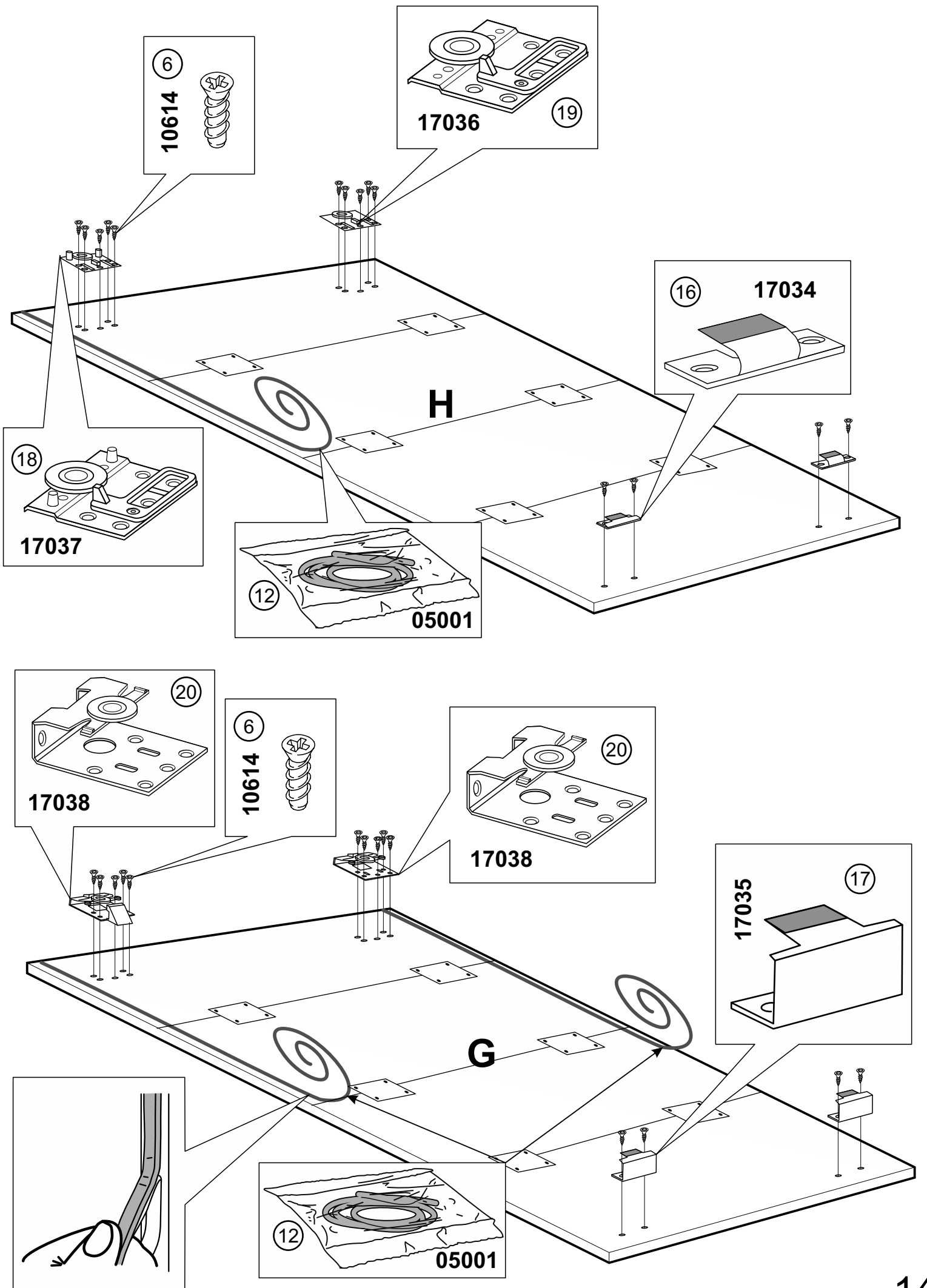


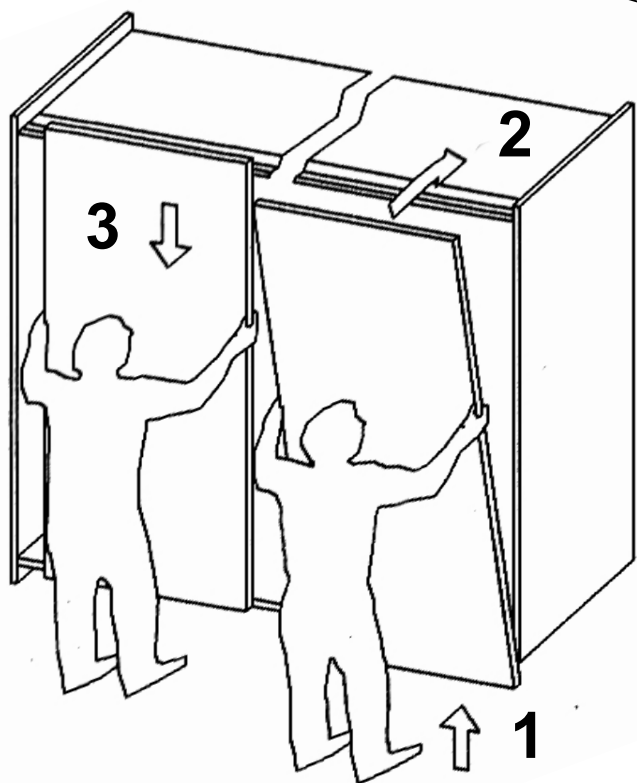
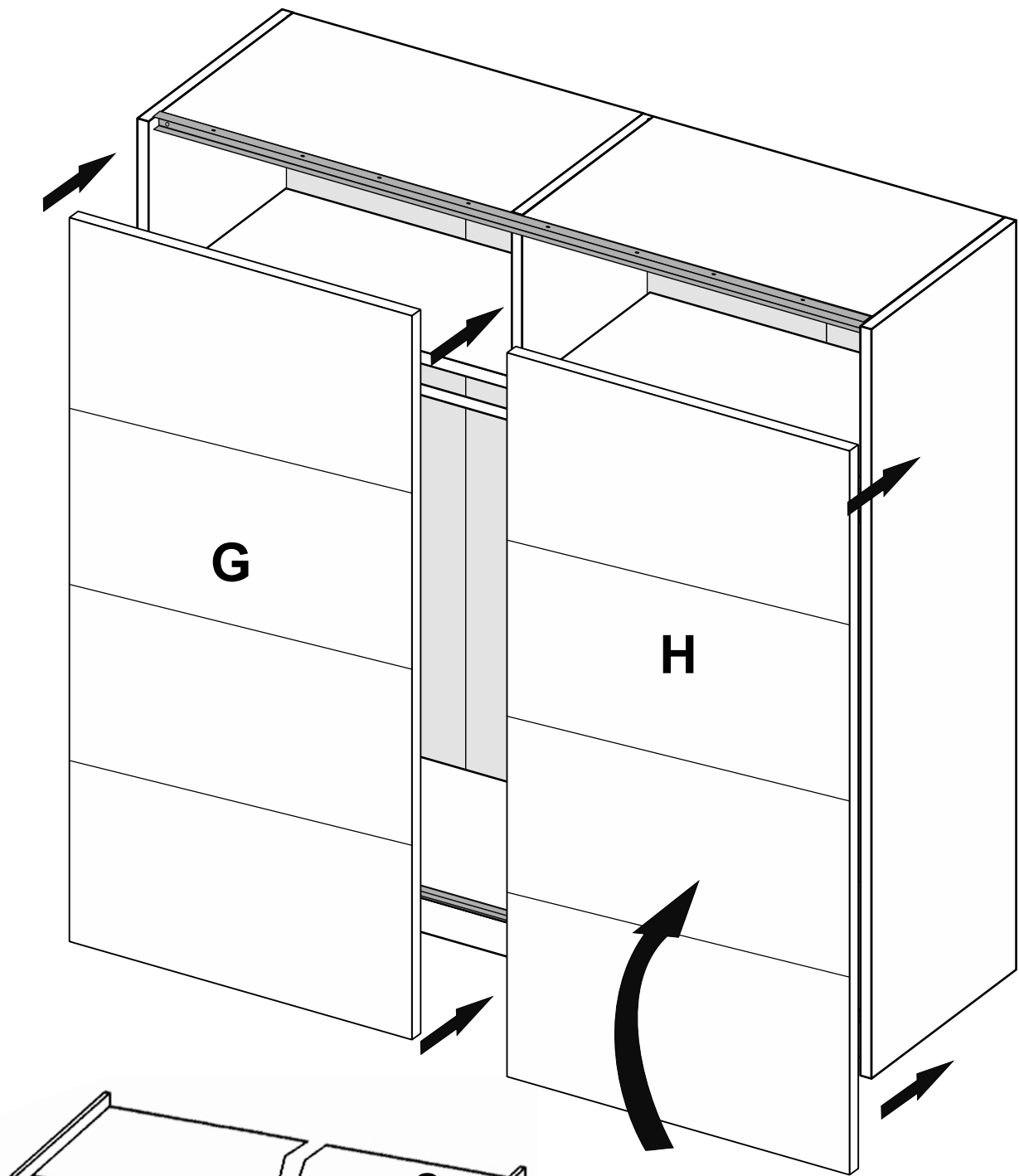


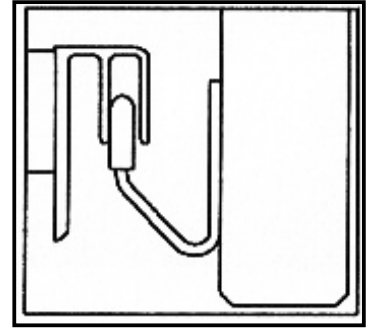
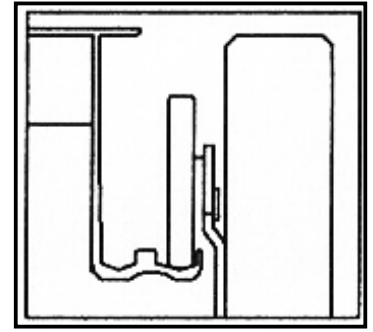
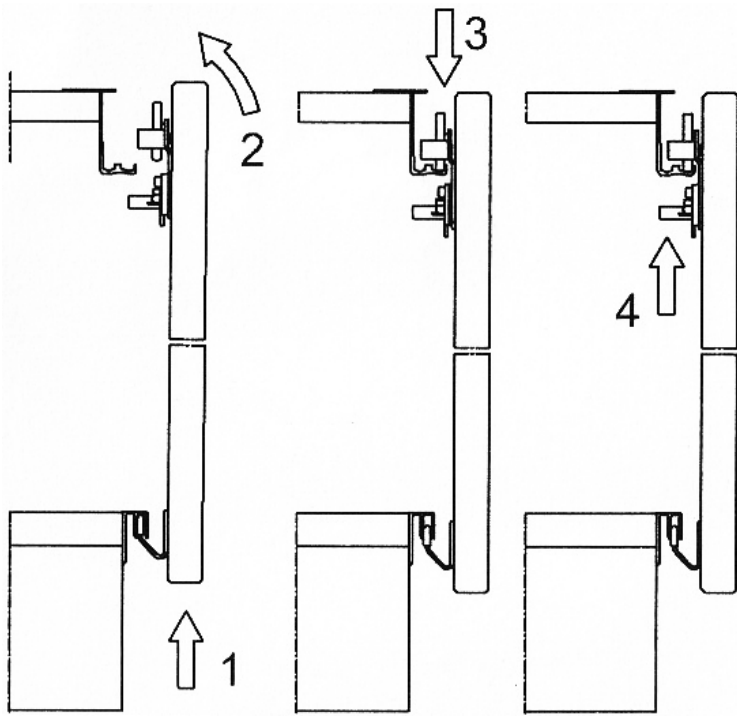




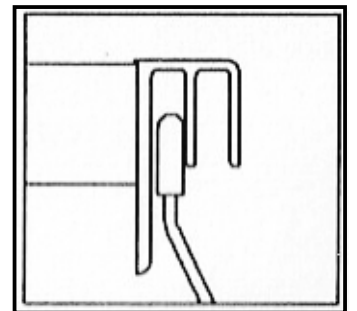
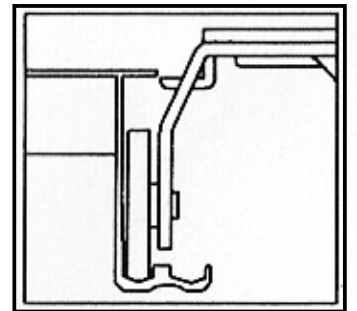
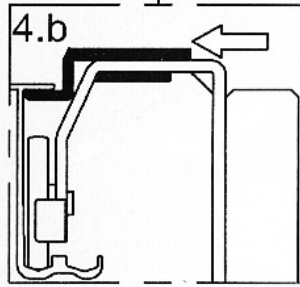
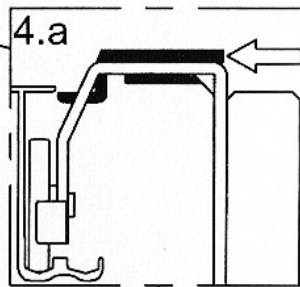
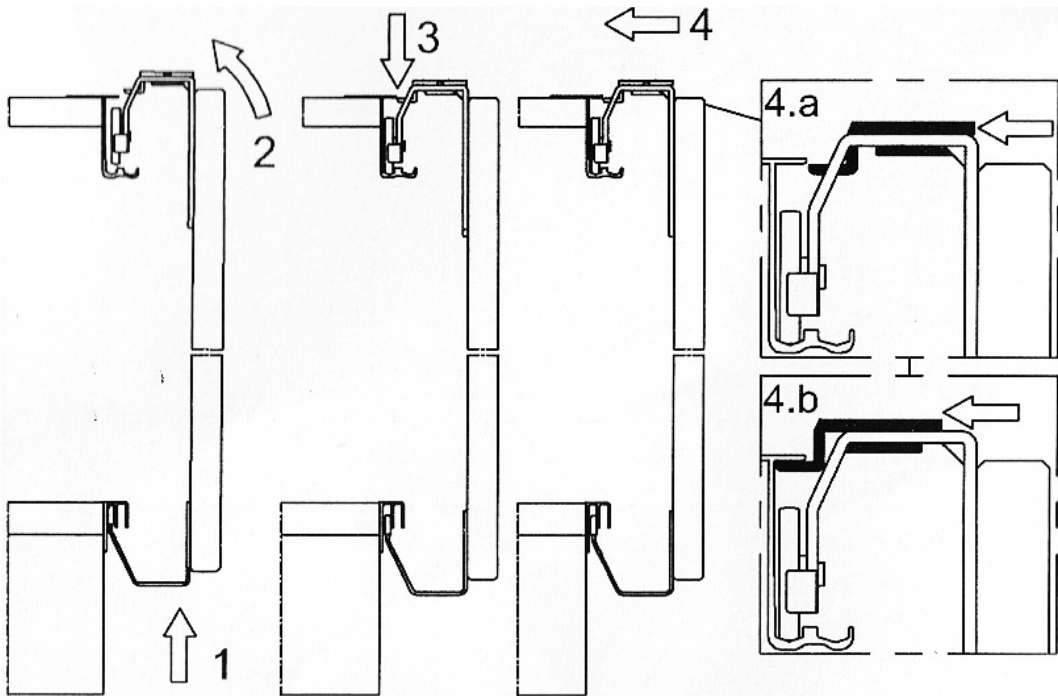








H



G